

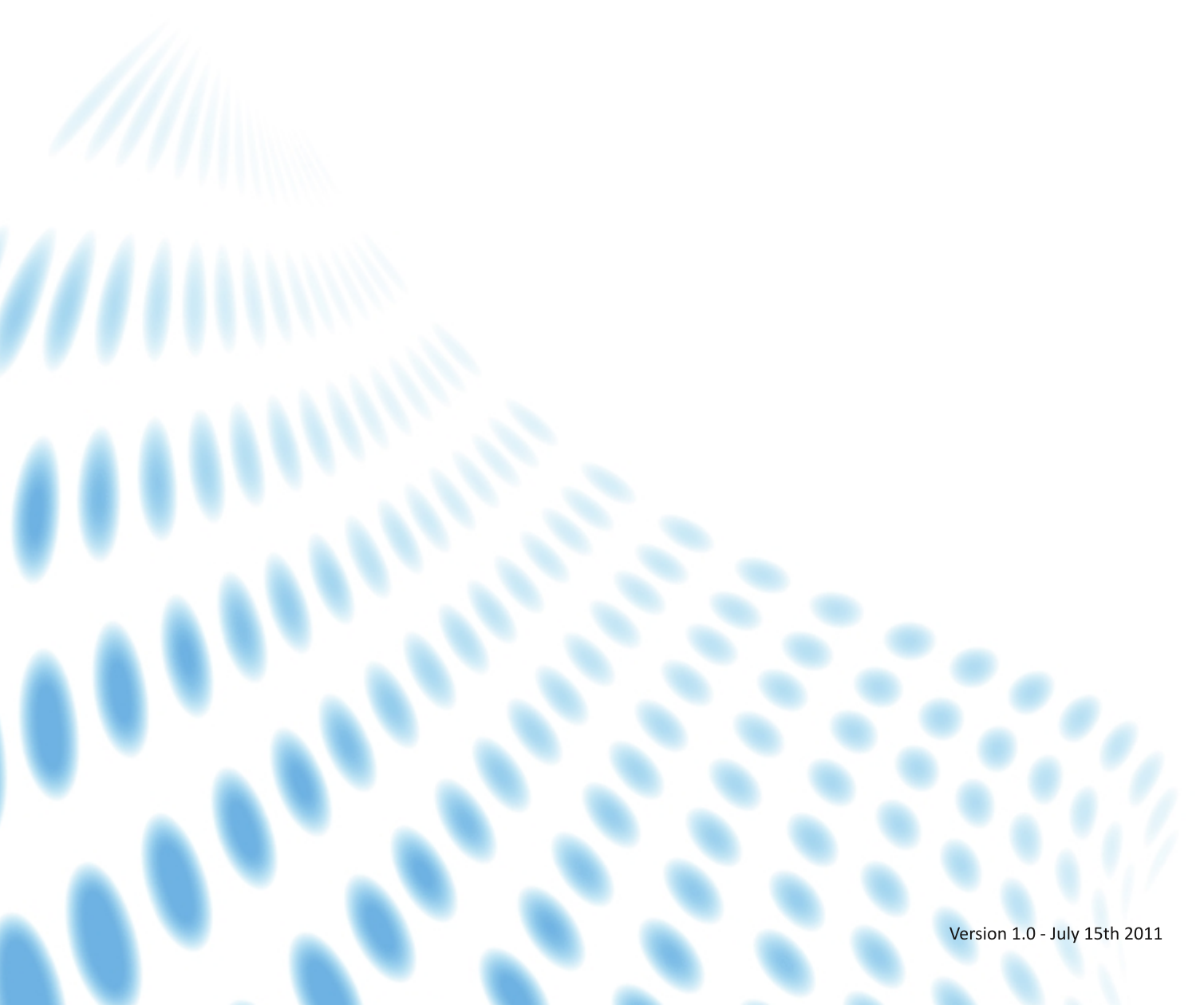
REALFICTION™

# dreamoc™

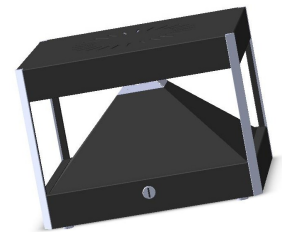
## Scandinavia 360



factsheet



The Dreamoc Scandinavia 360 is a 4 sided holographic display, which lets you combine a physical product with 3D holographic content. The chamber can be seen from all 4 sides and is designed for open floor placement. The unit is equipped with a key protected door, from where you have access to the media player, the LED and the chamber inside of the Dreamoc.



## FEATURES

4 sided viewing  
 Combine physical objects with holographic content  
 Plug and Play  
 Easy change of content

High ambient light tolerance  
 Bright and sharp picture quality  
 Key protected door  
 On/Off switch

## SPECIFICATIONS

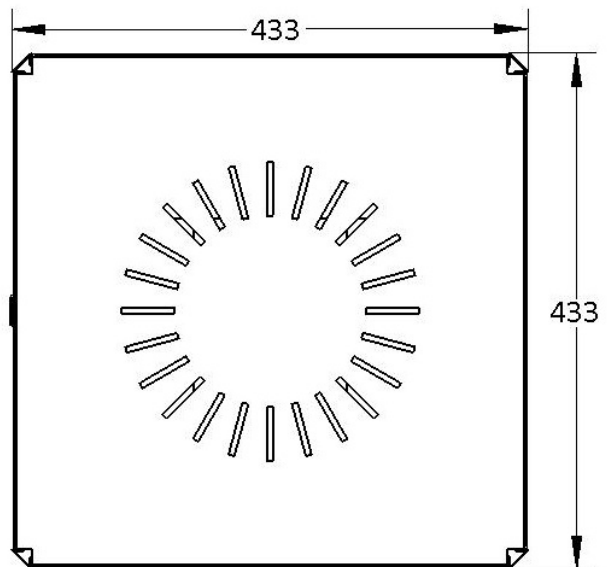
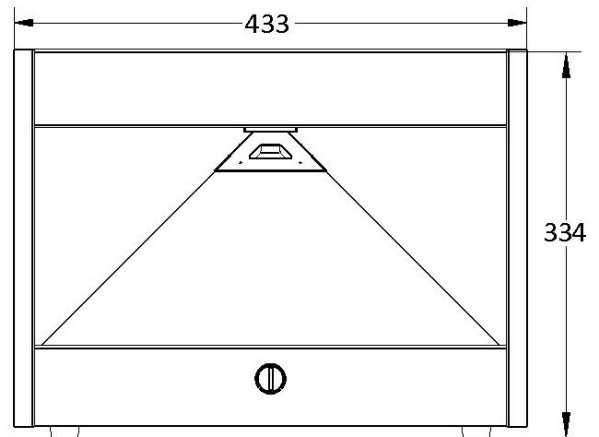
Consumption	30 W
Power input	100-240V, 50-60 Hz
Screen size	19", 5:4
Resolution	1280x1024
Content	WMV9, MPEG2
Sound out	Mini-jack
LED	2.2 W
Input	SD Card

## MEASUREMENTS

product	
WxHxD	433x334x433 mm
Weight	15 Kg
Freight measurements	
WxHxD	540x470x540 mm
Weight:	19 Kg

## PACKAGE CONTENT

Dreamoc Scandinavia 360  
 SD Card 2 GB  
 Bottom plate (white)  
 Power cord 500 cm  
 Keys (2 pcs)  
 Cleaning cloth  
 Cotton gloves  
 Manual

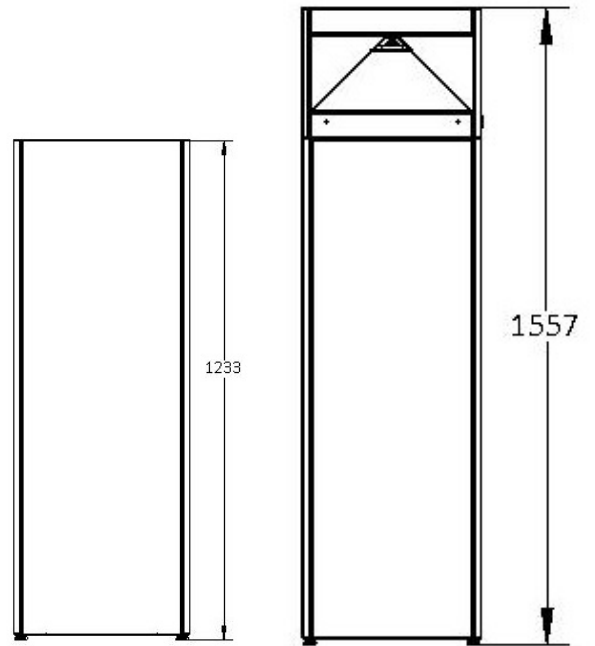


STAND

The stand puts the Dreamoc in a perfect viewing angle.

WxHxD excl. Dreamoc 433x1233x433 mm

WxHxD incl. Dreamoc 433x1557x433 mm



Specifications are subject to change without notice. We accept no liability for errors and changes.